

(J-EL) –Large Motorized Screen User Manual

Service email: Service@jwstmb.com

Thank you for purchasing this product. Before use, please carefully read the user manual. After reading, please remember to store it for future reference.

⚠ Notes

Before using this projection screen, please read the "Notes" for safety. Make sure to strictly adhere to them.

Warm Tips

For safety, please comply.

Precautions for installation

1. In order to ensure the performance of the projection screen or prevent problems, please do not install it in the following places.
 - Places that can cause vibration or impact to the projection screen.
 - Do not get close to places where magnetism, heat, water vapor, oil fumes, etc. occur.
 - Do not place it near the warm air outlet.
2. Please use equipment that meets the installation conditions to install this product.
3. In order to avoid scratches on the product and the floor during installation operations, please use soft protective cloth to pave the work site.
4. When tightening the screws, do not over-tighten the screws or under-tighten the screws.
5. During installation work, pay attention to ensure the safety of the surroundings.
6. This product should be installed as horizontally as possible

⚠ Notice

Must be installed in a location that meets the required load-bearing strength for both the product and long-term use. Reinforcement is necessary when installing on gypsum board and plywood. If the installation position is not strong enough, the product may fall.

Warm tips for use

- In order to improve the projection effect, the surface of this product has been specially processed. If the screen surface is contaminated, please pay attention to the above two points and use this product with caution.
- It is forbidden to touch the wooden product surface with your hands.
- It is prohibited to write or draw on the screen surface.
- Please do not use solid objects to rub or scratch the screen surface.
- The dust on the surface can be gently swept with a dry soft cotton cloth or cleaned with a soft brush

⚠ Notice

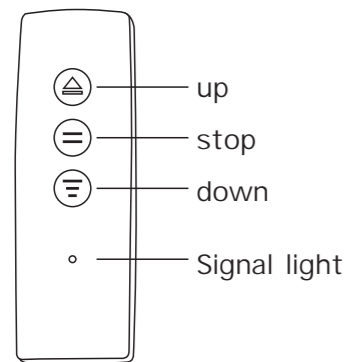
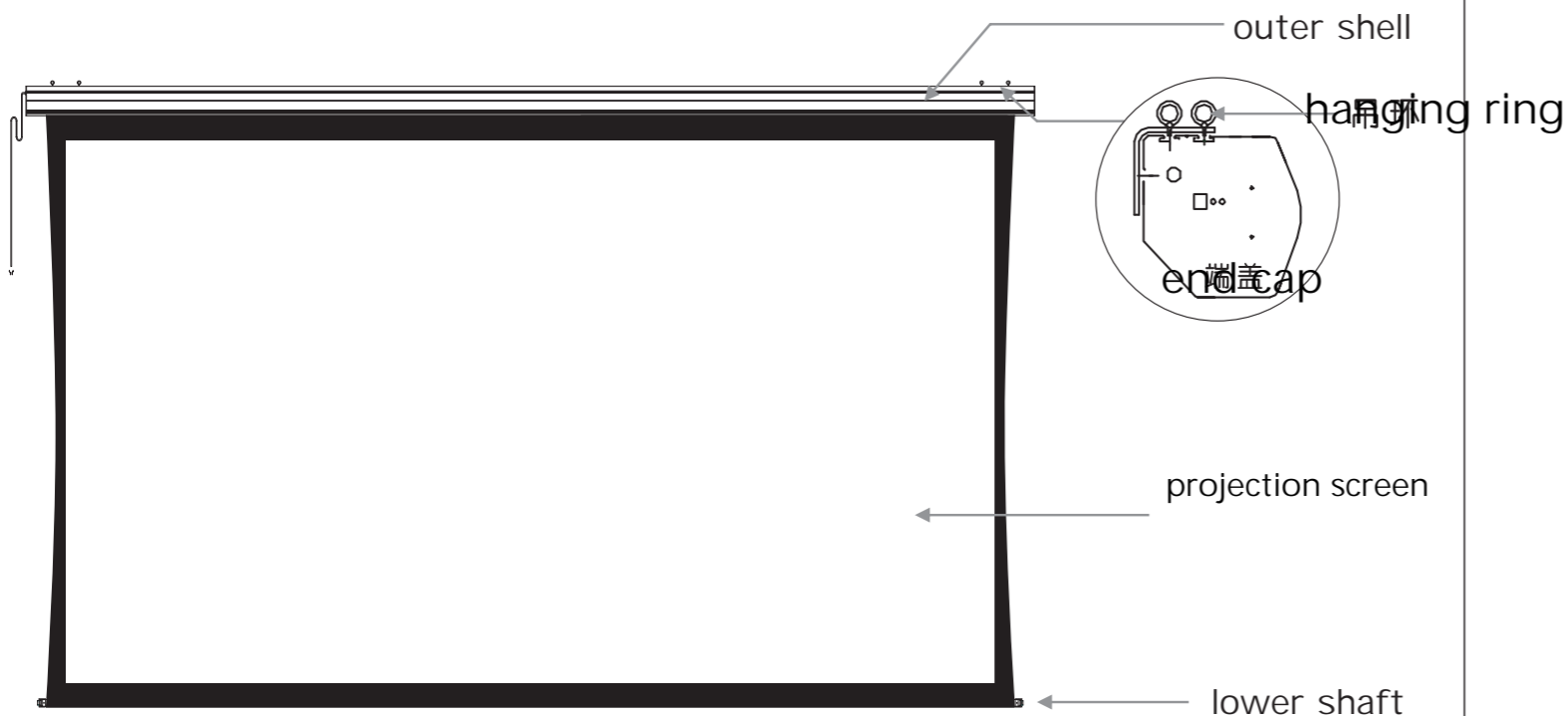
It is forbidden to use water-soaked cloth, gasoline, natural water, etc. on the screen, as it will affect the projection effect.

※ There may be a slight odor when you first use this product. It will gradually subside after the doors and windows are opened and adequate ventilation is carried out.

⚠ Notice

⊘ Do not place the corners of the outer frame upright. Improper placement may cause damage and may result in casualties.

1. Screen Structure



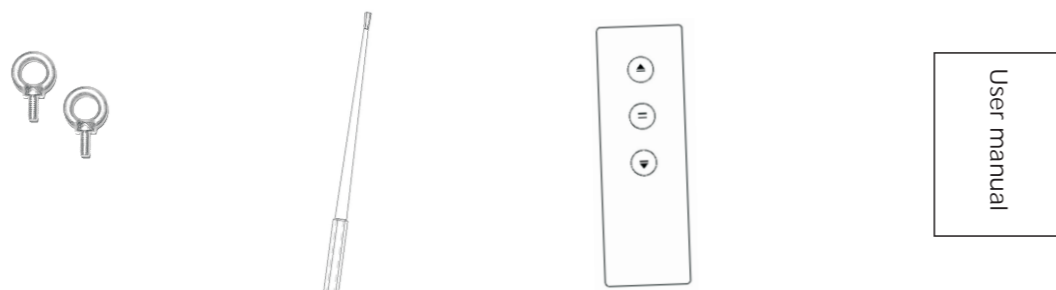
remote control instructions

1. Dropping, throwing, immersion in water, and similar actions can cause malfunction of the remote control. Therefore, please handle and store the remote control properly.
2. Remote control distance: Up to **80** meters without any obstructions.



2. Install Accessories

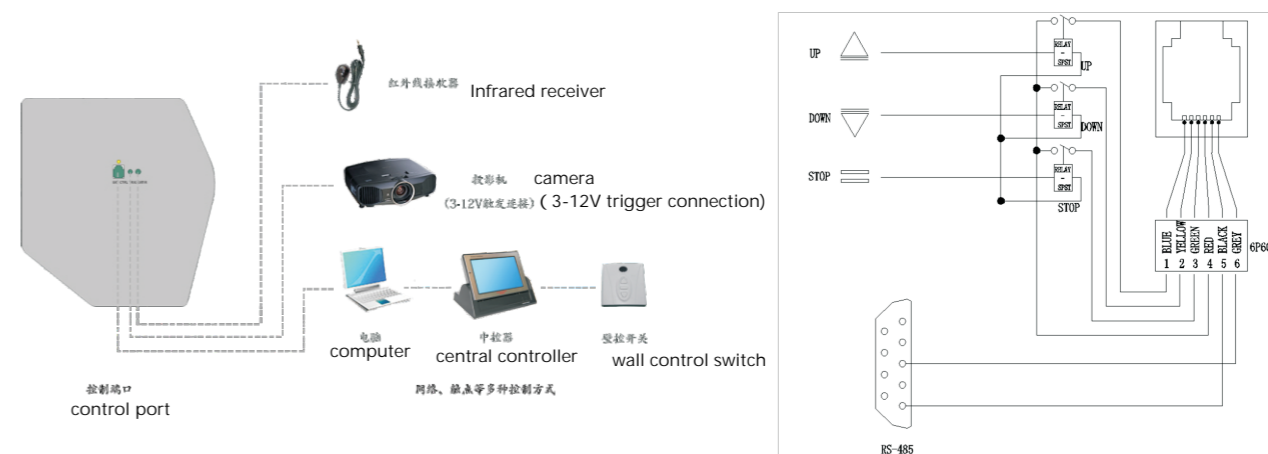
- M10 hanging ring
- tuning rod
- remote control
- user manual



Data

voltage 电压 (V)	frequency 频率 (Hz)	power 功率 (W)	applicability 适用范围
230V	50Hz/60Hz	270W	Applicable to projectors with 250 inches and above motorized screens

3. Wiring method



4. Installation method

hanging installation

Use an electric drill to bore two holes in the ceiling of suitable size and relative positions. Securely fasten two $\phi 10$ screws with hooks (not included in the accessories) into these four holes (as shown in Figure 1)

Note: The ceiling must be of reinforced concrete structure.

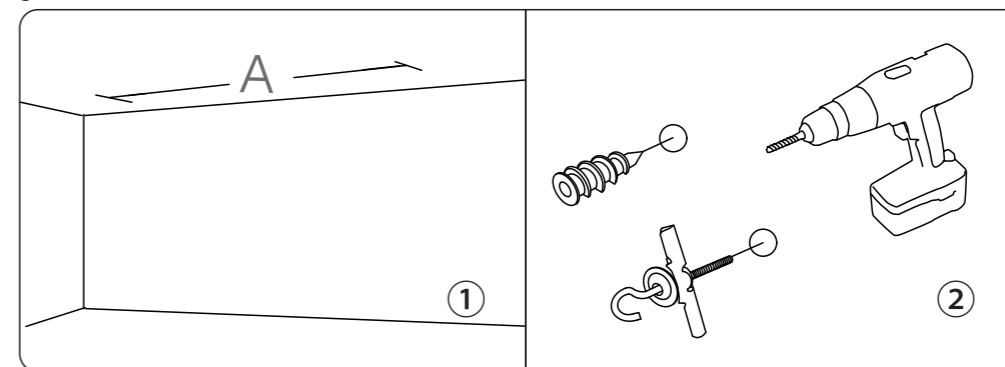


figure 1

2. Hang the screen on the hooks (not included in the accessories) as shown in Figure 2. Then, inspect the security of the hooks and, if necessary, take reasonable measures to ensure that the screen will not accidentally slip off the hooks under any circumstances

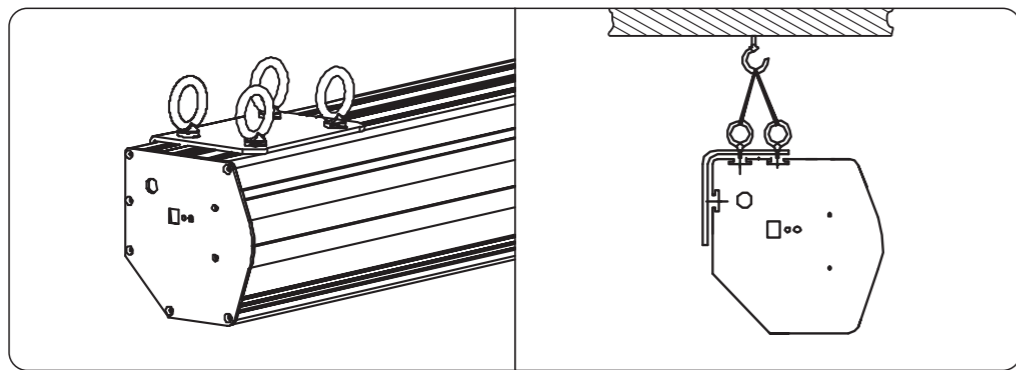


figure 2

concealed installation

According to your needs or environmental requirements, you can conceal the outer casing of the screen in the recesses of the wall and ceiling. Refer to the suspended installation method for specific installation instructions (as shown in Figure 3).

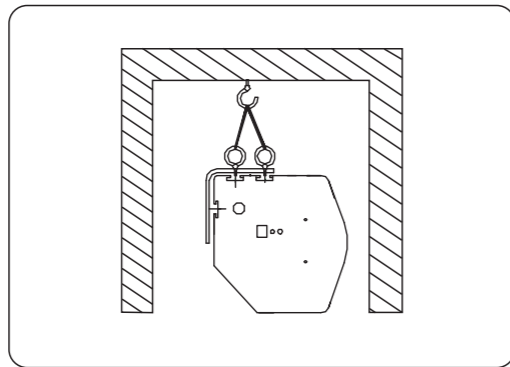


figure 3

side wall installation

Method 1:

1. The two side fixing plates can extend outward by 150mm, using four M14*100 bolts

Expansion screws, locked into the cement ceiling (as shown in Figure 4)

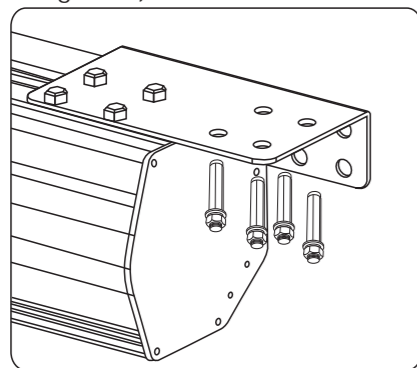


figure 4

Method 2:

2. The two side fixing plates can extend outward by 150mm, using four M14*100 bolts

Expansion screws, locked into the wall (as shown in Figure 5)

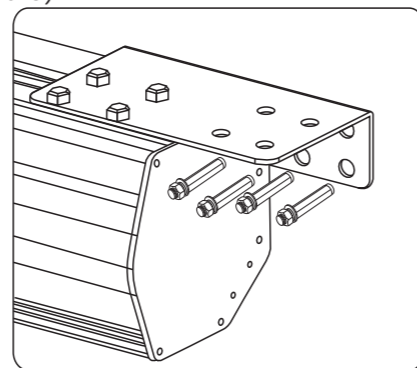
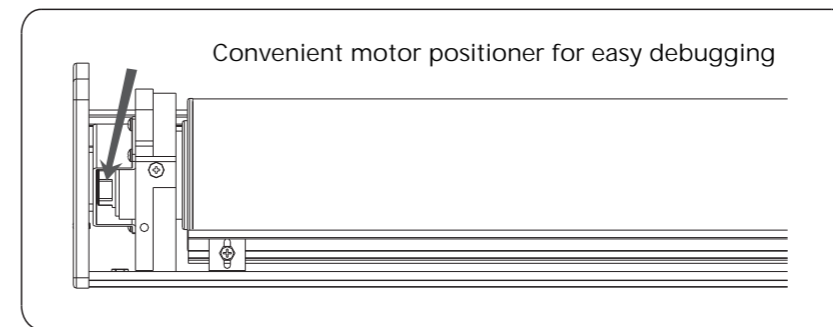


figure 5

screen feature



Convenient motor positioner for easy setup.

It can adjust the screen's upper and lower limits based on installation constraints. Factory settings are at the best position—do not adjust yourself!

Notes:

Before rolling the screen, ensure its surface is free from insects, dust, or foreign objects. Continuous up-and-down use should not exceed 4 minutes to prevent motor overheating; allow a 2-minute cooldown if needed. The motor doesn't need lubrication. Professional personnel should handle adjustments to upper and lower limit holes.

